

# Sector Carrier Class

5-16 3x3 VVH

5-16 3x3 HHV

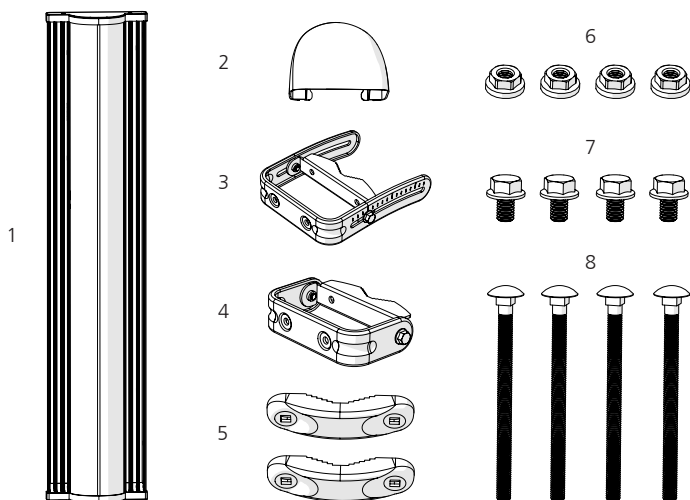




# Sector Carrier Class 5-16

3

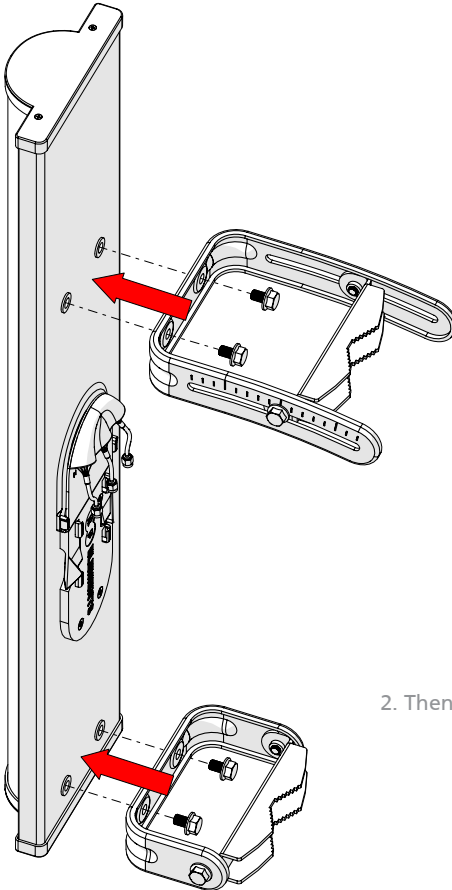
## Package Contents



| Number | Description      | Quantity |
|--------|------------------|----------|
| 1      | Sector Antenna   | 1x       |
| 2      | Cover            | 1x       |
| 3      | Bracket Top      | 1x       |
| 4      | Bracket Bottom   | 1x       |
| 5      | Pole Clamp       | 2x       |
| 6      | Nut M8           | 4x       |
| 7      | M8 x 16mm Screw  | 4x       |
| 8      | M8 x 120mm Screw | 4x       |

# Sector Carrier Class 5-16

## Installation Guide

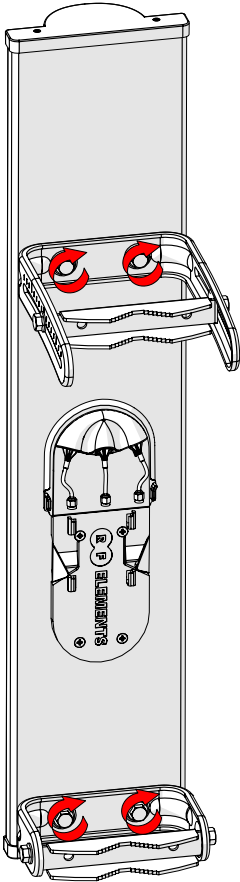


1. First Install Top

2. Then Install Bottom

# Sector Carrier Class 5-16

## Installation Guide

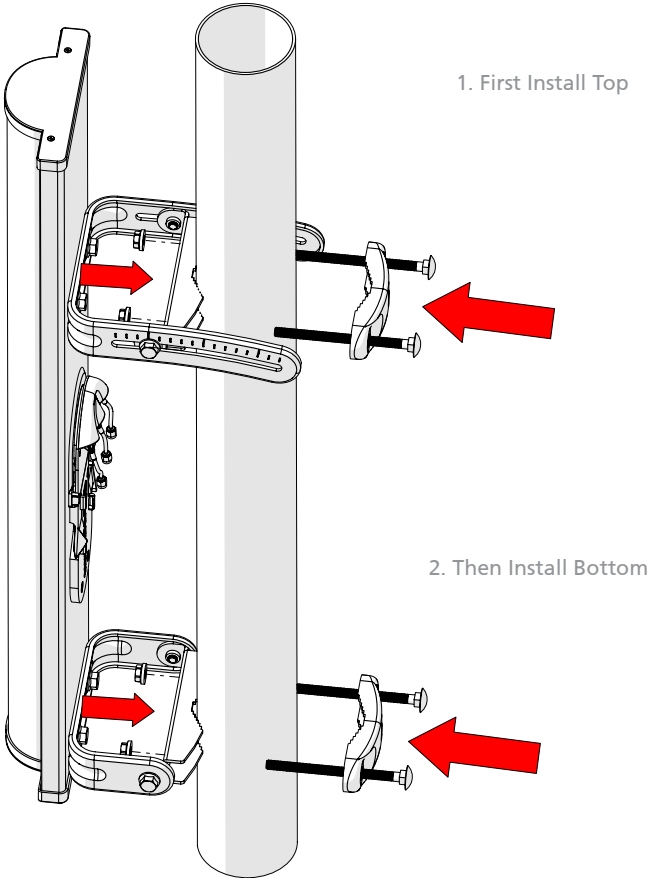


1. First Install Top

2. Then Install Bottom

# Sector Carrier Class 5-16

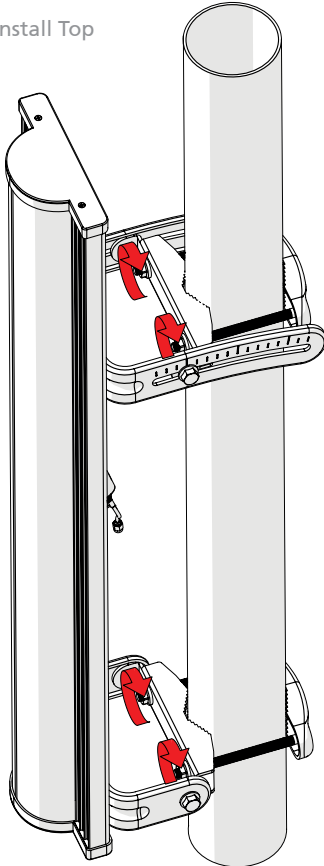
## Installation Guide



# Sector Carrier Class 5-16

## Installation Guide

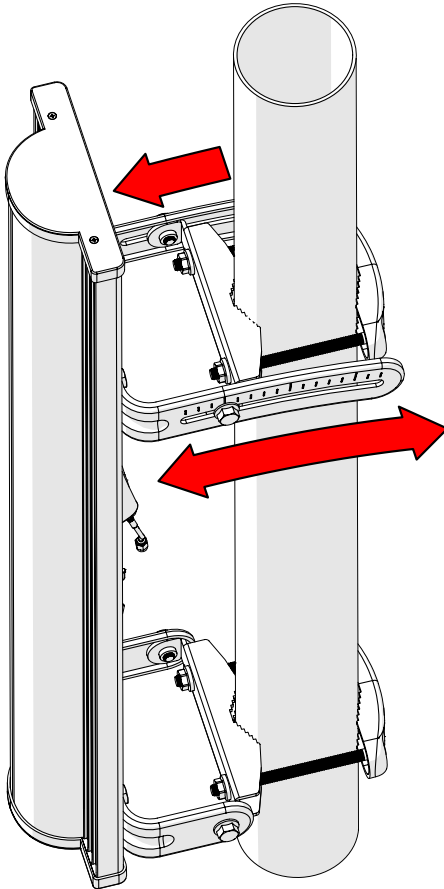
1. First Install Top



2. Then Install Bottom

# Sector Carrier Class 5-16

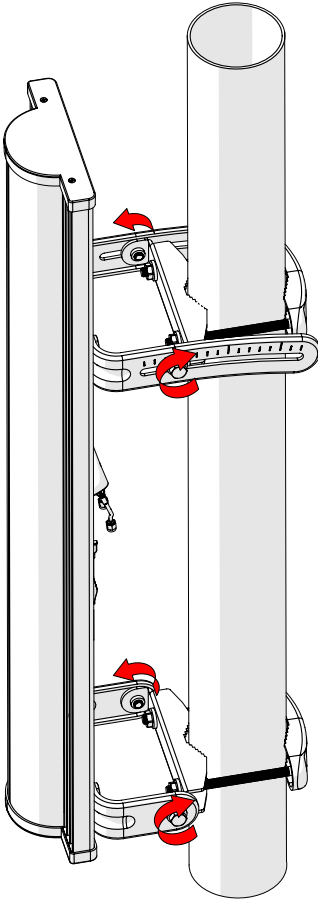
## Installation Guide





# Sector Carrier Class 5-16

## Installation Guide



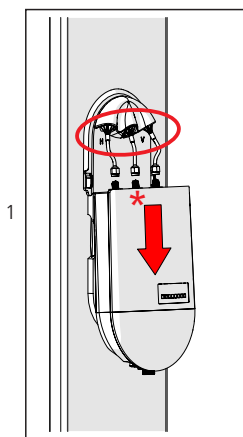
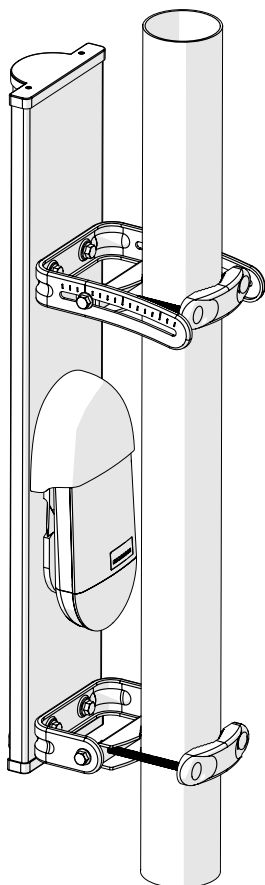
1. First Install Top

2. Then Install Bottom

# Sector Carrier Class 5-16

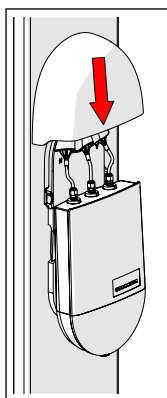
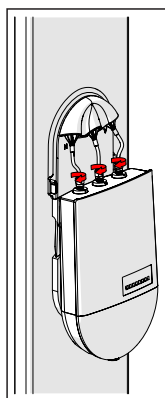
10

## Installation Guide



2

3



\* Antenna Port H - Horizontal Polarization in H+H+V version  
Antenna Port V - Vertical Polarization in V+V+H version

## Compatible Devices:

### **RF elements®**

StationBox® S  
StationBox® S CARRIER CLASS  
RockShield™

### **Ubiquiti Networks™**

Rocket™ M5  
Rocket™ M5 Titanium  
Rocket™ 5AC-Lite  
Rocket™ 5AC  
Rocket™ M5AC

### **Cambium Networks™**

ePMP™ 1000 Connectorized Radio\*

### **MikroTik™**

BaseBox 5\*\*  
NetBox 5\*\*  
NetMetal 5\*\*

\*with EasyBracket™ for ePMP™

\*\*with EasyBracket™ 912

RF elements®, StationBox®, NanoBracket™ and RockShield™ are trademarks of RF elements s.r.o., Humenne, Slovakia.

Ubiquiti Networks™ and Rocket™ are trademarks of Ubiquiti Networks, Inc., San Jose, California.

Cambium Networks™ and ePMP™ are trademarks of Cambium Networks, Ltd., Rolling Meadows, Illinois.

MikroTik™ is trademark of MikroTik, Aizkraukles iela 23, Riga, LV-1006 Latvia.

All rights of respective trademark owners reserved.



RF elements s.r.o.  
Phone: +421 2 3260 3711  
info@rfelements.com  
[www.rfelements.com](http://www.rfelements.com)