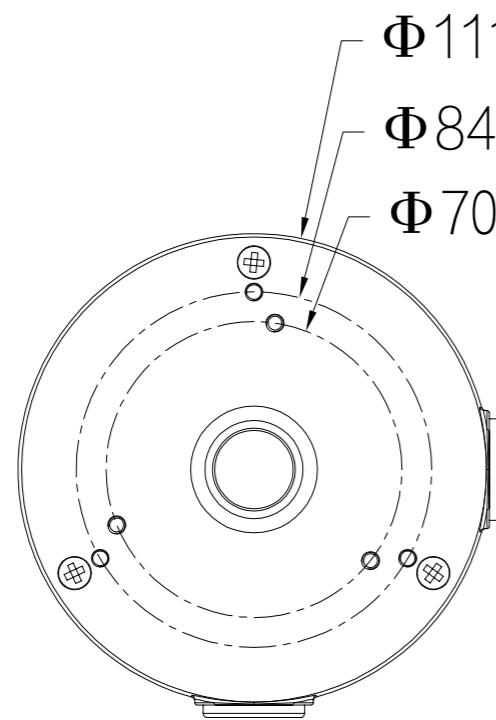
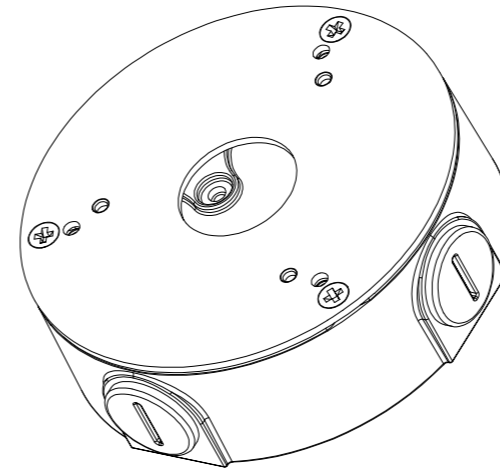
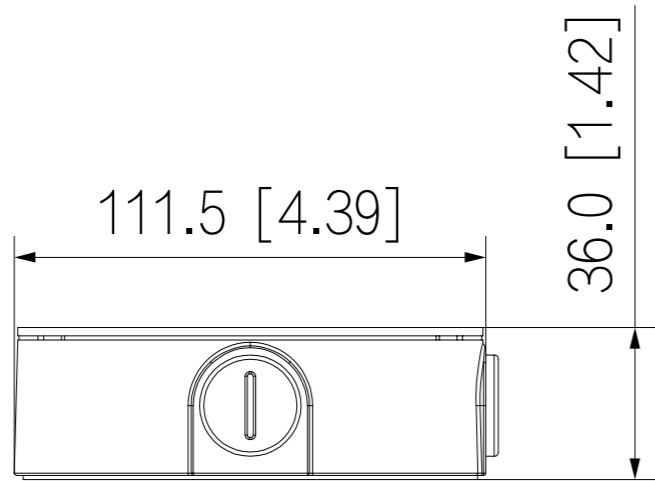


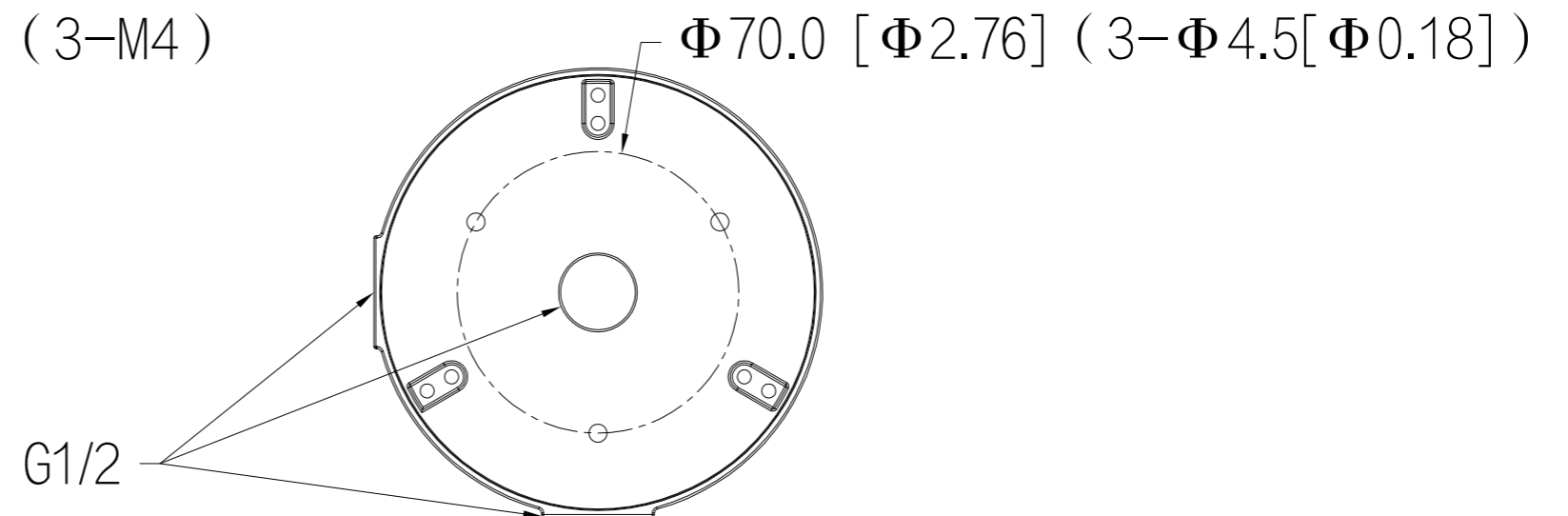
mm [inch]



$\Phi 111.6$ [$\Phi 4.40$]

$\Phi 84.1$ [$\Phi 3.31$] (3- $\Phi 4.2$ [$\Phi 0.08$])

$\Phi 70.0$ [$\Phi 2.76$] (3-M4)



$\Phi 70.0$ [$\Phi 2.76$] (3- $\Phi 4.5$ [$\Phi 0.18$])

G1/2