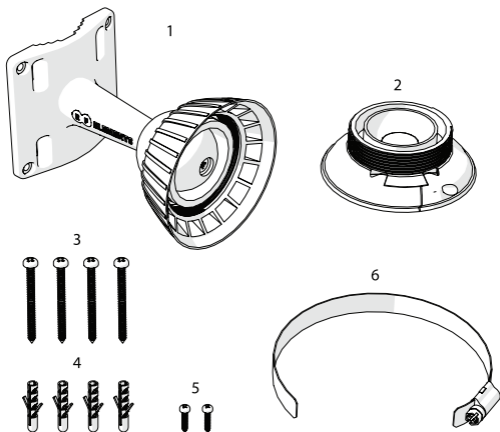


NanoBracket™ SXT 2.0

BRACKET FOR ROUTERBOARD™ SXT

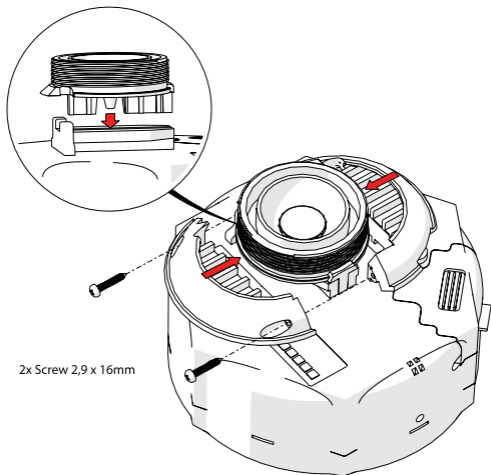


Package Contents

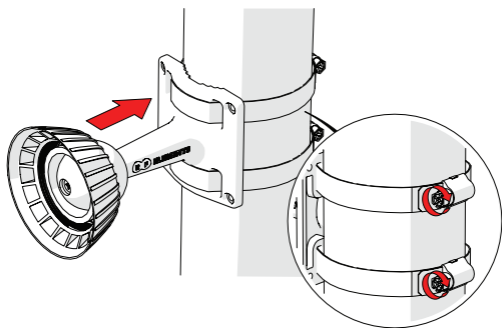


| Number | Description | Quantity |
|--------|------------------|----------|
| 1 | NB SXT 2 Body 1 | 1x |
| 2 | NB SXT 2 Body 2 | 1x |
| 3 | 3,5 x 45mm Screw | 4x |
| 4 | Wall Plug | 4x |
| 5 | 2,9 x 16mm Screw | 2x |
| 6 | Hose Clamp | 1x |

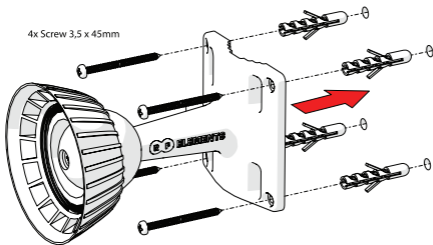
Installation Guide



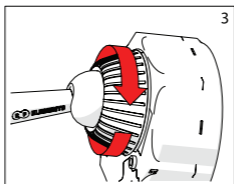
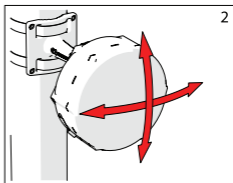
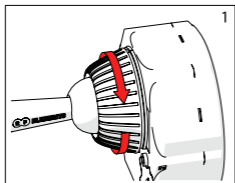
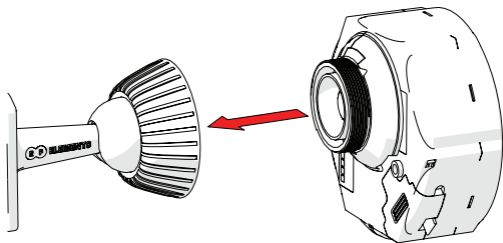
Installation on a Pole



Installation on Wall



Installation Guide



MikroTik™ and RouterBoard™ are trademarks of MikroTik,
Aizkraukles iela 23, Rīga, LV-1006 Latvia
RF elements® and NanoBracket™ are trademarks
of RF elements s.r.o., Humenne, Slovakia.
All rights of trademark owners reserved.



RF elements s.r.o.
Phone: +421 2 3260 3711
info@rfelements.com
www.rfelements.com